

# wedge wire screen

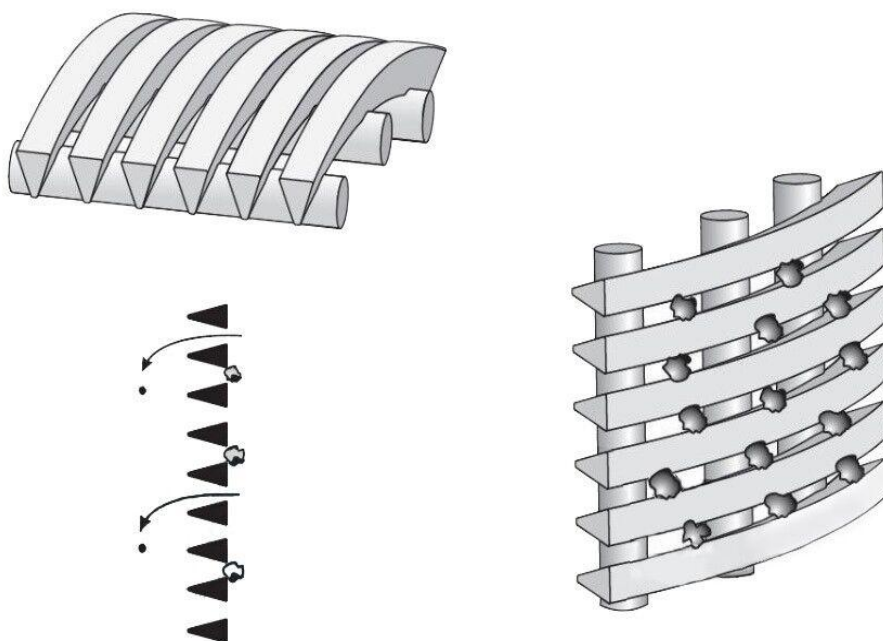


## "Wedge Wire, A good solution for filtering and screening industries"



Wedge Wire Screen is a multi-functional screen that we are uniquely positioned to supply.

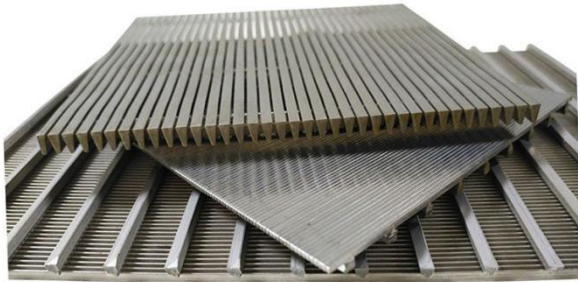
Wedge wire is a multipurpose screen with characteristics of toughness and clogging resistance where slit/slot (mesh) suitable for the application is formed by arranging "wedge wires" with a triangle shape at equal intervals. They can be used for filtration, solid-liquid separation, classification, dewatering, concentration, etc. regardless of industry or location.



## Wedge Wire Screen Panel

Wedge wire screen panel, also called wedge wire flat screens, wedge wire panels, are manufactured with stainless steel surface profiles and support profiles. The surface profile are welded onto support profiles at each intersection in a 90 degree.

**It has three common types of sieve plates:**



### Flat wedge wire screen

The flat wedge wire sieve screen plate is an important working part of the screening machine to complete the screening process. Each screening machine must select a sieve plate that meets its working requirements.

Can be processed into other shapes according to requirements.



### wedge wire False Bottom

Lauter Tun is used in the craft beer brewing process between the mash tun and the brew kettle. The lauter tun separates the barley husks from the clear liquid wort.

Wedge wire screen is the preferred false bottom for lauter tun tanks in many breweries.

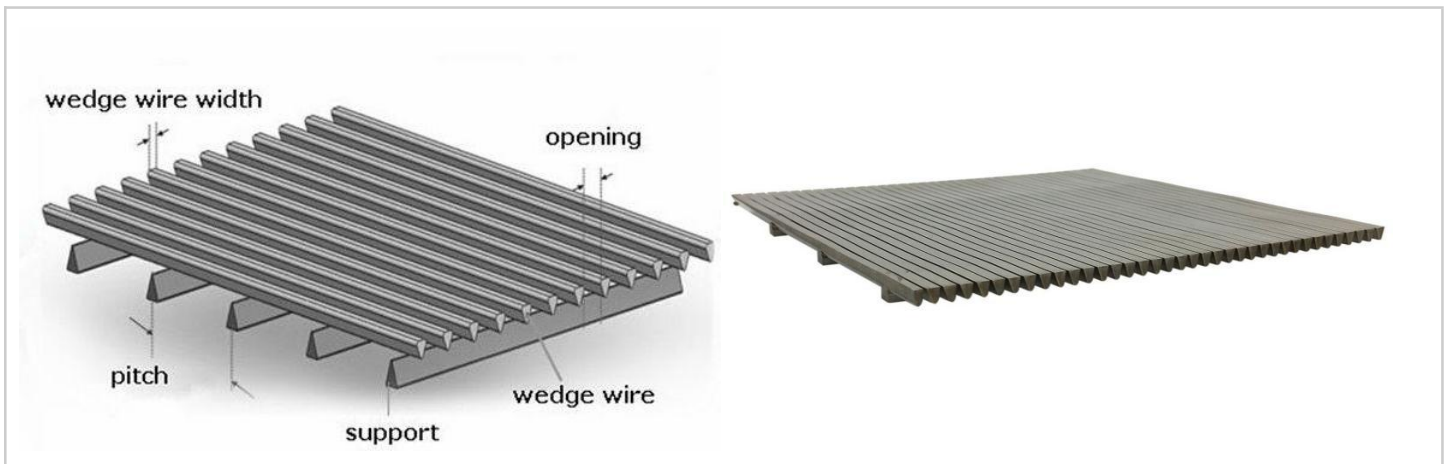
Sieve bend screen



Sieve bend screen is also referred to DSM Screen.

Sieve Bend screen specifically designed to separate fine solids for minerals, agriculture, food processing, wood chip or wastewater.

Specifications of Flat wedge wire screen plate :



Material	SS304, SS304L, SS316, SS316L, SS321, Duplex, Hastelloy, etc						
Length Range	Up to 6000mm						
Width Range	Up to 6000mm						
Slot Range	20 micron to 3000 micron (Tolerance:±5 micron)						
Other Shapes	Could cut to any shape according to requirement, such as round, semicircle, sector, and so on.						
Wedge Wire	0.5x1.5	0.75x1.5	1x2	1.5x2	2x3	2x4	3x5



Support Rod	1.5x2.5 2x3	1.5x2.5 2x3	1.5x2.5 2x3	1.8x2.5 2x3	2x3 2x4 3x5 3x6 3x10 4x7	2x4 3x5 3x6 3x10 4x7 5x6	3x5 3x6 3x10 4x7 5x6 5x8
End Finishing	With the frame, without any frame, according to request.						
Note	Customized According To Requirement						

## Advantages of Flat Wedge Wire Screen:

- A continuous slot opening which significantly increases the available open area
- A 'V' shaped wedge wire which avoids clogging and ensures uninterrupted flow
- A uniform and efficient well development
- Precision, long service life

## Application of Flat Wedge Wire Screen:

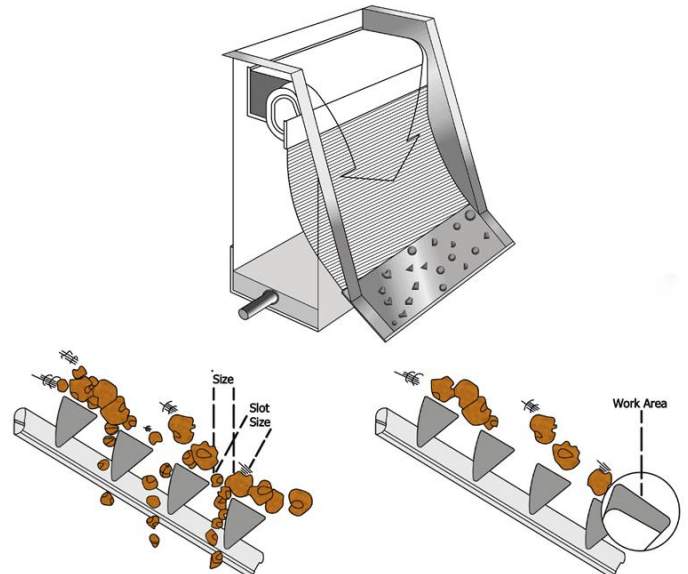
The flat wedge wire screen panel can be used in various industries, such as: food, agriculture, cereals, oil & gas, Oil refinery, building, etc.



## Sieve Bend Screen :

Welded sieve bends are bent into the required radius after welding the mat. The rounding can be effected both in slot direction and in the direction of the crossbars.

Looped sieve bends are bent to the required screen surface radius after pressing of the wedge wire and subsequent processing of the screen mat. In this case, the rounding can also be implemented in both directions.



## Specifications of Sieve Bend Screen:

Material	SS304, SS304L, SS316, SS316L, SS321, Duplex, Hastelloy, etc
Length Range	Up to 6000mm
Width Range	Up to 6000mm

Slot Range	20 micron to 3000 micron (Tolerance:+-5 micron)						
Wedge Wire	0.5x1.5	0.75x1.5	1x2	1.5x2.5	2x3	2x4	3x5
Support Rod	1.5x2.5 2x3	1.5x2.5 2x3	1.5*2.5 2x3	2x3	3*5	3x5	3x5 4*6 5*8
Angle	90°,120°,140°,150°,160° etc.						
Arc height	10mm,15mm,20mm,50mm or depend on you size of screen panel.						
Frame	No frame or " L" type frame, ordinary frame, 5*10mm frame etc, according to your request.						
Note	Customized according to requirement						

## Advantages of Sieve Bend Screen:

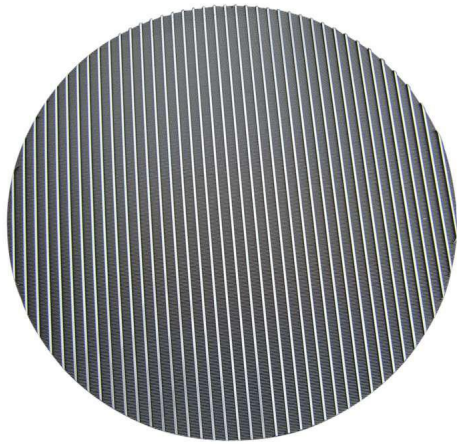
- Easy separation of solids from slurry
- Maximum efficiency
- Lengthened screen panel life

## Sieve Bend Screen Application:

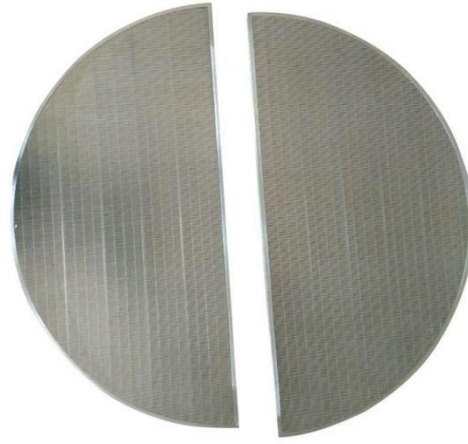
The sieve bend screen mainly used for dewatering, sizing and wastewater cleanup applications. Such as sewage treatment, Poultry, fish, fruit and vegetable wastewater, Minerals processing, etc



## Types of Wedge Wire False Bottom :



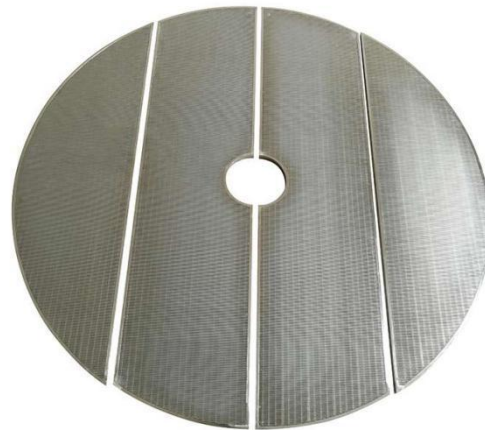
Whole type of false bottom



Joint type of false bottom



Round hole on the side



Round hole on the center

## Application of False Bottom:



The false bottom mainly used in brewery.

One of the main steps in the brewing process is lautering.

There are many different types of false



bottoms for the brewing process, but if you're serious about brewing, getting the right equipment for the job is important. While lautering is a straightforward process, doing it improperly can have a direct effect on the final taste of the beer.

## Specifications of Lauter Tun False Bottom:

Normal Name	Lauter Tun Screen, Mash Tun Screen, False Bottom Screen, Etc.
Diameter Range (MM)	200mm To 2500mm. Diameter Customized
Normal Diameter (MM)	29", 30", 35", 37", 40", 45", 47", 59", 63", 74", etc
Normal Slot (MM)	0.7mm, 0.75mm, 0.8mm, 1.0mm, customized
Normal Thickness (MM)	8.5mm, 20mm. 25mm, 30mm, 40mm, 50mm, Customized.
Sections & shape	1 Cycle, 2 PCS, 3 PCS, 4 PCS, 6 PCS, 8 PCS. Customized
Wedge wire (MM)	2x4MM Wedge Wire, 3x5MM Wedge Wire
Support Rod (MM)	3x5MM V shaped Support Rod, 3x5mm Square Support Rod
Strengthen Rod (MM)	Thickness and Height according to the diameter and screen thickness
Note	customized.

## Transportation:



## Contact us:

Tel: 86-311-83289301

E-mail: [admin@yuanlvfilter.com](mailto:admin@yuanlvfilter.com)

Skype: 86-180 3224 0808

WhatsApp: 86 180 3215 3916

Website: <https://www.johnsonwedgewire.com/>

Address: Anping, Hengshui, Hebei, China