

wedge wire screen Filter nozzle



"Wedge Wire, A good solution for filtering and screening industries"

Wedge Wire Filter nozzle is used in liquid/solid or gas/solid separation (sand, catalyst, resins, zeolite etc). The design of each nozzle and the exact quantity will be proposed in order to obtain a perfect distribution or collection of flow. It has the types single, double, long-handle and Single and Double Flow Rating Filter Nozzle.



Filter nozzle also called wedge wire screen nozzle, stainless steel water nozzle, is a kind of metal filter nozzle which is made of stainless steel and other materials. This filter nozzle adopts the wedge wire which is welded with support rods. It is a new generation of water treatment equipment that helps users solve the worries of the original plastic filter nozzle. It solves the problems that plastic filter nozzle is poor in strength, pressure resistance, temperature, aging resistance. Besides, it is safe, reliable, integrated and costs low used widely in the filter industry. Our filter

nozzle is an ideal choice based on their combination of high strength, high open area, and non-plugging slot design. It includes Single Filter Nozzle, Double Filter Nozzle, Longhand Filter Nozzle, Single and Double Flow Rating Filter Nozzle.



Single Filter Nozzle



Longhand Filter Nozzle



Single and Double Flow Rating
Filter Nozzle



Double Filter Nozzle

Specifications of Wedge Wire Filter Nozzle :

| Type | Slot (mm) | Dimension | | | | | Flow Rating (M3/H) |
|----------------|--|-----------|-------|-----------------|------------------------------------|---|--------------------------|
| | | D(mm) | H(mm) | L(mm) | Thread | Fittings | |
| Yuanlv -0.5 | 0.25 | 45 | 45 | 90/req uest | M, NPT, G, PT, Z, request | SS Gasket, R ubber gasket, Nut, or as your require ment | 0.5 |
| Yuanlv -1.0 | 0.25 | 53 | 45 | 90/req uest | | Same as abov e | 1.0 |
| Yuanlv -1.5 | 0.25 | 57 | 45 | 90/req uest | | Same as abov e | 1.5 |
| Yuanlv -2.0 | 0.25 | 57 | 55 | 100/re quest | | Same as abov e | 2.0 |
| Yuanlv -2.5 | 0.25 | 70 | 55 | 100/re quest | | Same as abov e | 2.5 |
| Yuanlv -3.0 | 0.25 | 70 | 70 | 120/re quest | | Same as abov e | 3.0 |
| Note | <p>* All the above size are the normal size. Customized size is possible.</p> <p>* Yuanlv could help to design according to the application and requirement.</p> <p>* The nozzles customized range as below:</p> <ol style="list-style-type: none"> 1. Slot range: 0.05-2mm 2. Dimension: Diameter, Screen Height, Length could produce according to actual requirement and application 3. Thread, gasket, nut according to requirement | | | | | | |

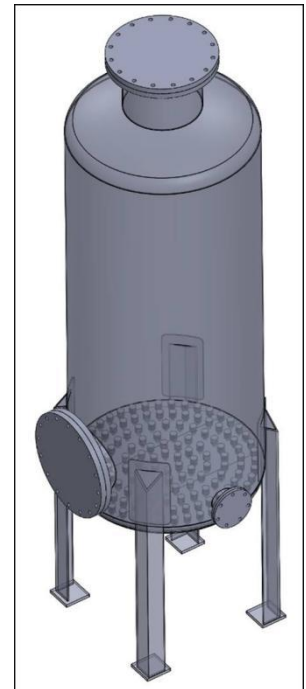
Advantages of Filter Nozzle:

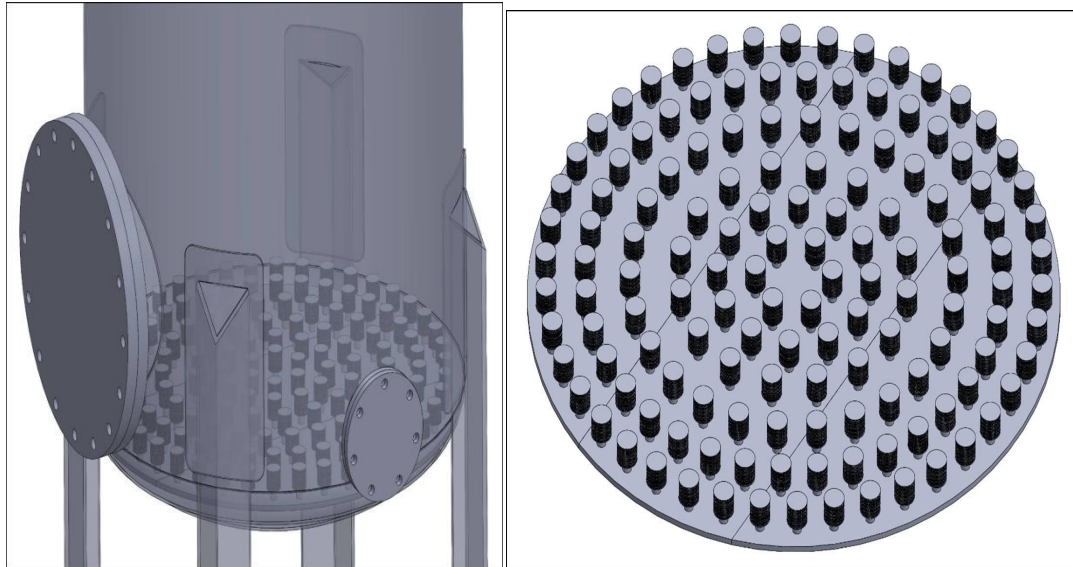
- Material and size can be customized as your requirement
- Excellent roundness
- High mechanical load capacity
- High filtering performance
- Corrosion and rust resistance, High-temperature resistance
- Economical and Easy to install and replacement
- Long service time

Application of Filter Nozzle:

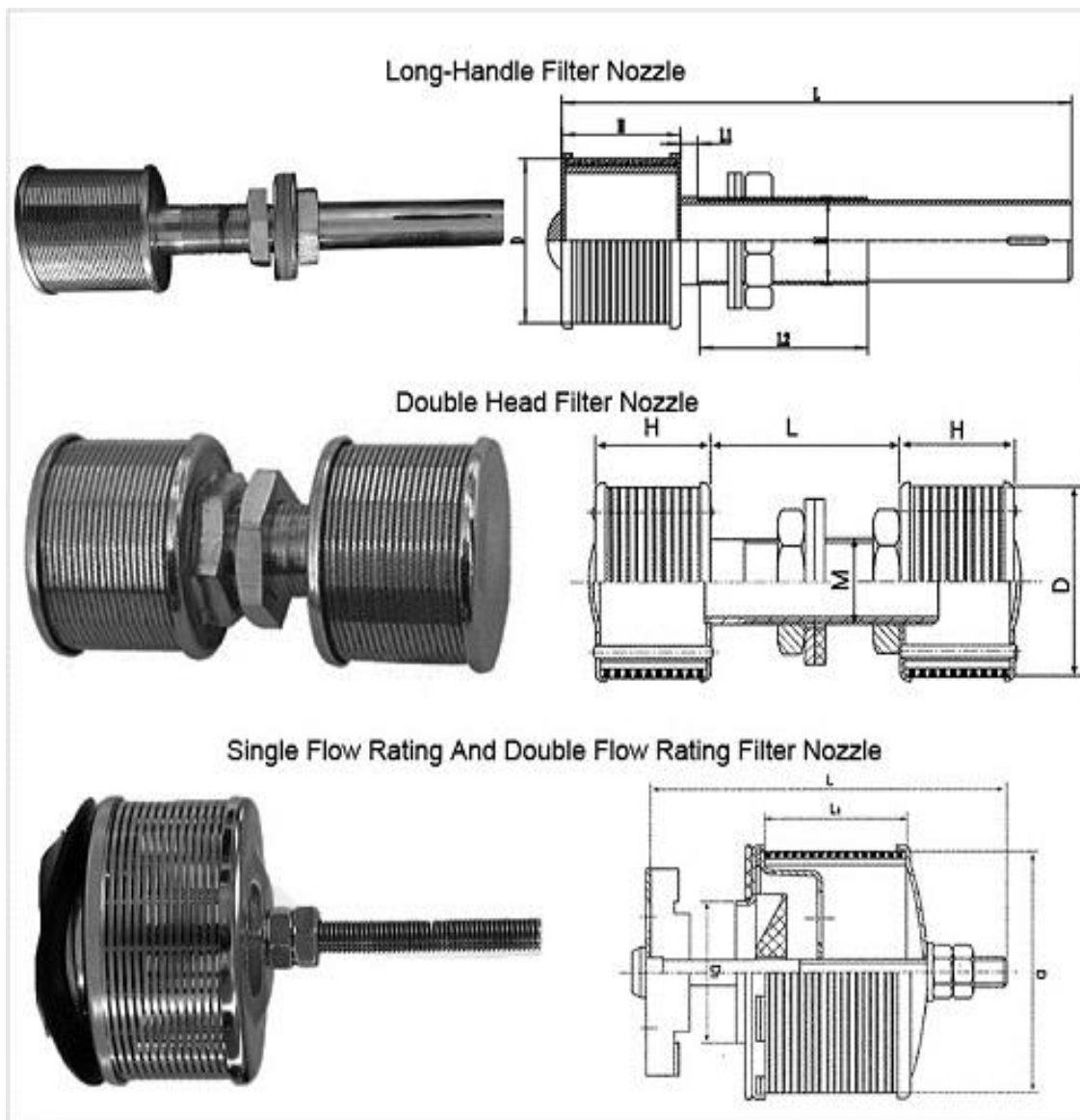
The wedge wire filter nozzle can be fixed on the filtering equipment for the filtration of water petrol resin and other mediums.

Also, it can be used in the water treatment, water softening, sugarmill, conversion of seawater into freshwater, the filter of food chemistry.

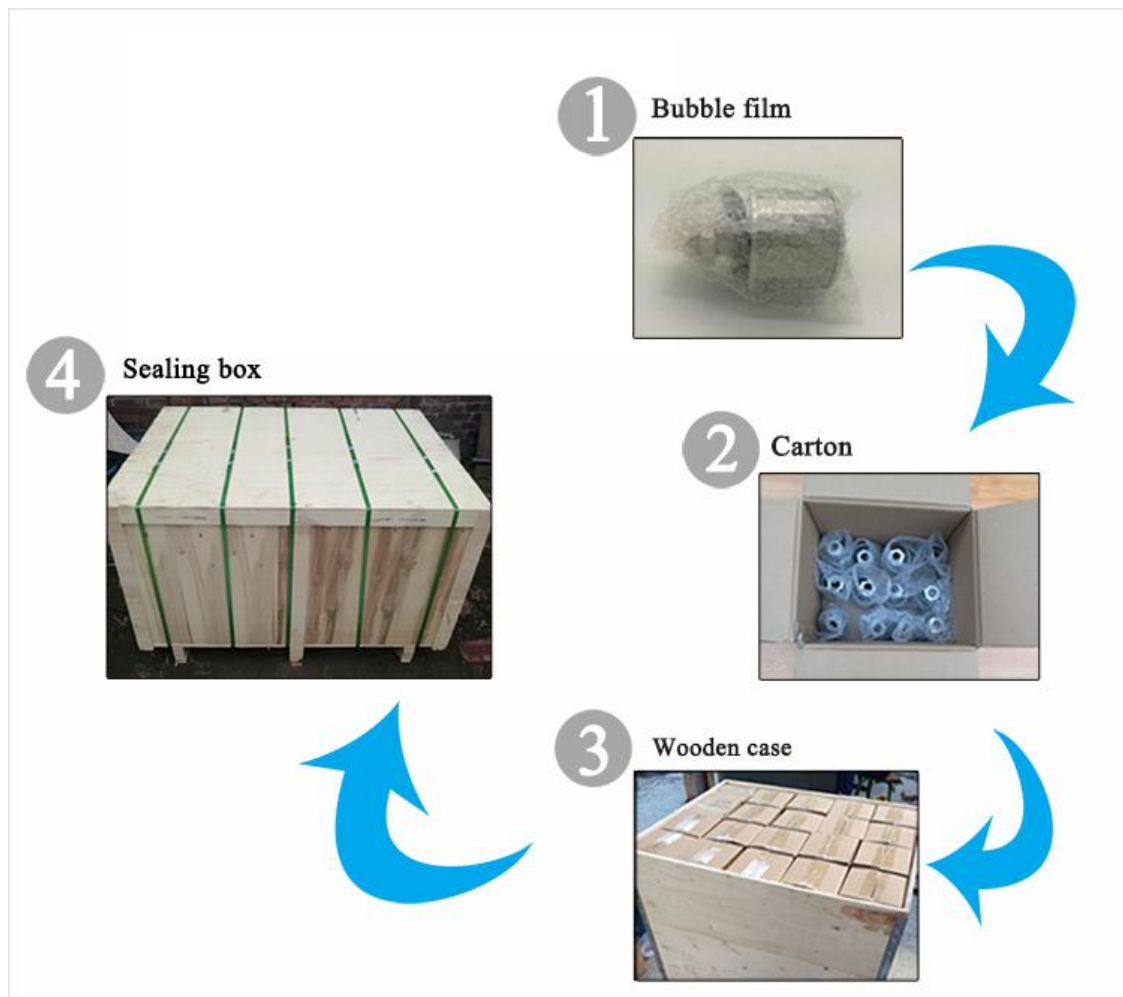




Drawing of Filter Nozzle:



Packaging and Transportation:



Wedge Wire Filter Nozzle



Contact us:

Tel: 86-311-83289301

E-mail: admin@yuanlvfilter.com

Skype: 86-180 3224 0808

WhatsApp: 86 180 3215 3916

Website: <https://www.johnsonwedgewire.com/>

Address: Anping, Hengshui, Hebei, China